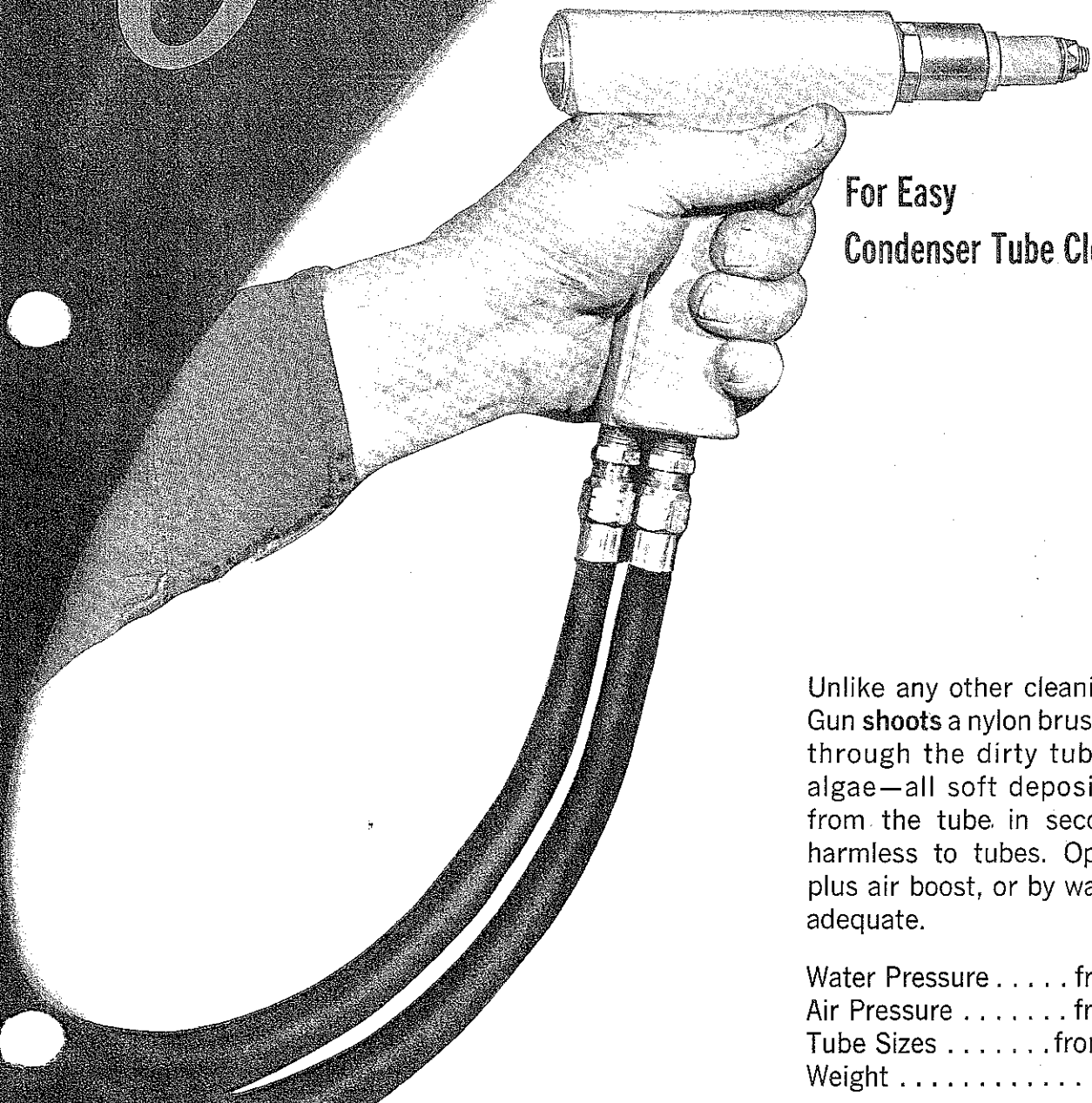


Elliott Jiffy Gun



For Easy
Condenser Tube Cleaning

Unlike any other cleaning tool, the Jiffy Gun **shoots** a nylon brush (or rubber plug) through the dirty tube. Sludge, mud, algae—all soft deposits—are scoured from the tube in seconds. Completely harmless to tubes. Operated by water plus air boost, or by water if pressure is adequate.

Water Pressure from 40 to 100 psig
Air Pressure from 25 to 100 psig
Tube Sizes from $\frac{3}{8}$ " to $1\frac{1}{8}$ " O.D.
Weight only 2 lbs.

ciency. Do it the Jiffy Gun way—unbutton the condenser, removing the heads at both ends. Here's the only part of Jiffy Gun tube cleaning that might be called hard work.

A canvas dropcloth or tarpaulin should be draped over the exit end of the tube bundle to catch the brushes as they shoot out and prevent their loss or damage.

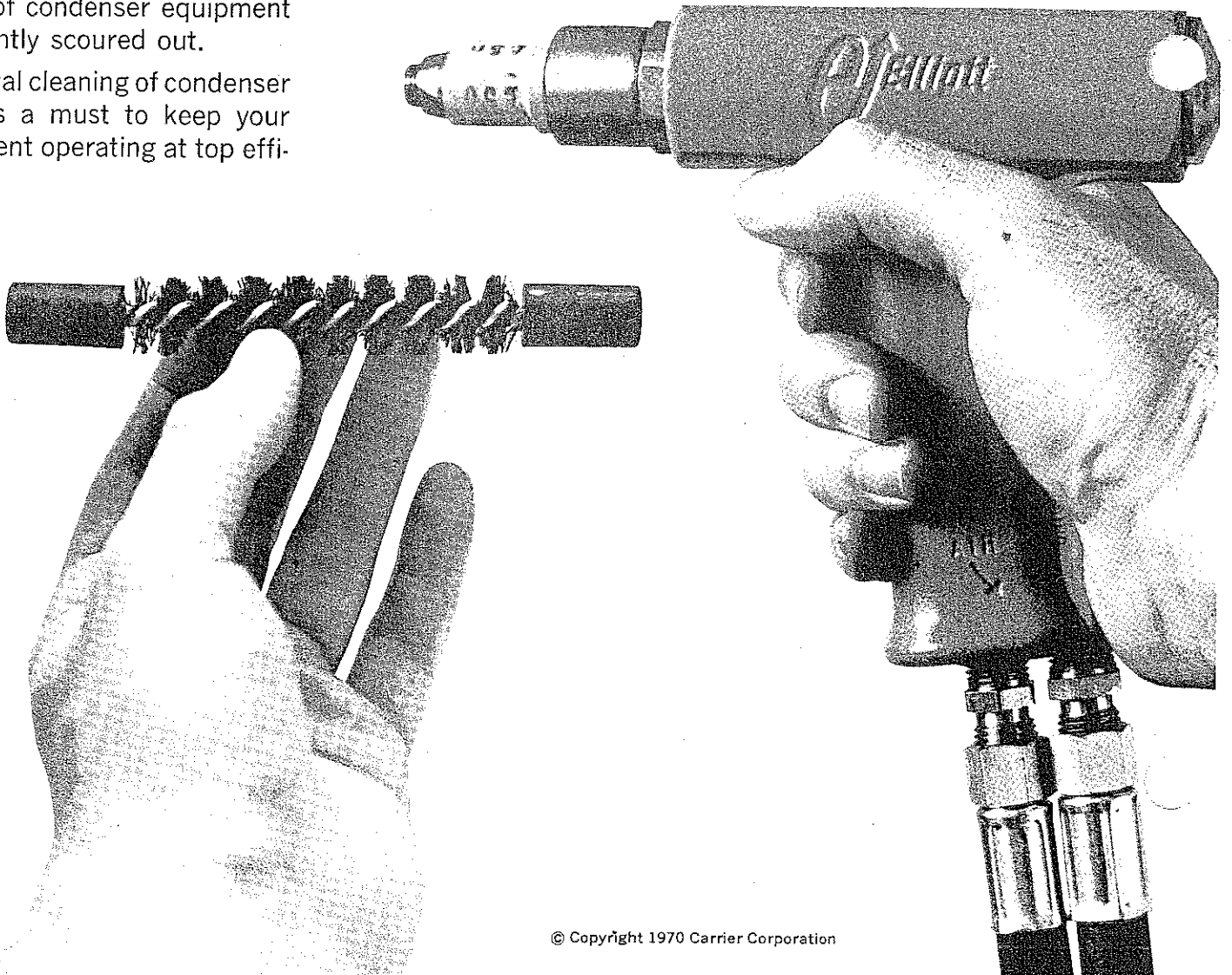
How many brushes? Generally we suggest 50. With this quantity you can insert them, shoot them, retrieve them and load

again — easily, efficiently, with little time loss.

Look at the close-up view of a Jiffy Gun below. This powerful little "pistol" is precision made of lightweight materials. It weighs only **two pounds**. You can work it all day without tiring. The Jiffy Gun works best when supplied with both air **and** water. The water helps flush away deposits, leaving the tube walls clean—the way you want them. Ordinary water pressure is suitable (40 pounds). Air pressure should be about 50 pounds, or more.

Want to save money and time on condenser tube cleaning? It's simple with the Elliott Jiffy Gun. We'll **prove** it to you. When you use the Jiffy Gun — an air and water operated "pistol"—you eliminate the awkward, time-consuming **hand-rod**ding of your condenser tubes. Just shoot a cleaning brush (or plug) through each tube. The dirt, sludge, mud or algae which reduces the efficiency of condenser equipment is instantly scoured out.

An annual cleaning of condenser tubes is a must to keep your equipment operating at top effi-



Connect the Jiffy Gun's two light flexible hoses to your air compressor (or a nitrogen bottle, over 1,000 tubes can be cleaned from just one commercial-sized bottle) and to your water supply. You're ready to clean tubes faster than you ever thought possible (about 20-25 tubes per minute). Load all the brushes in the tubes. (Time is money: brushes are reusable!) Fire!

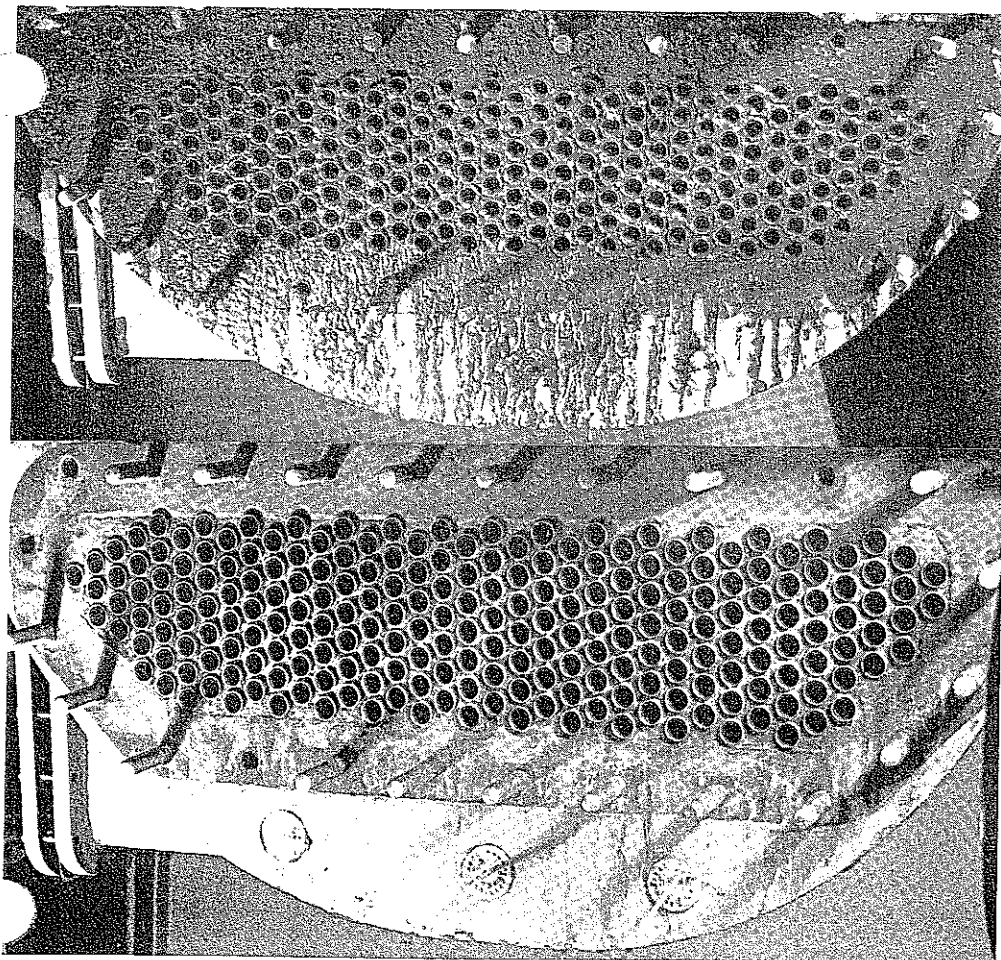
In minutes the job is done, your tubes are clean . . . quickly, thoroughly and easily. (Some people think using the Jiffy Gun is fun.)

Now with the *Jiffy Gun* we can clean them like this in just 10 minutes

- ★ **Fast.** Insert brush, place nozzle in tube, squeeze trigger . . . the tube is clean. Single trigger operates both water and air feed. Jiffy Gun will do a 60 minute cleaning job in 10 minutes.
- ★ **Easy on the operator.** Gun weighs only 2 lbs. Hoses are small diameter, flexible, light.
- ★ **No mess . . . no splash.** Rubber collar around nozzle expands within tube; seals gun in tube like a cork.
- ★ **Economical.** One size gun serves tubes from $\frac{3}{8}$ " to $1\frac{1}{4}$ " O.D. Four inexpensive, interchangeable nozzles adapt gun to tube size being cleaned.
- ★ **Versatile.** Operates on water plus air boost or on water if pressure is adequate.

THAT'S TUBE CLEANING WITH

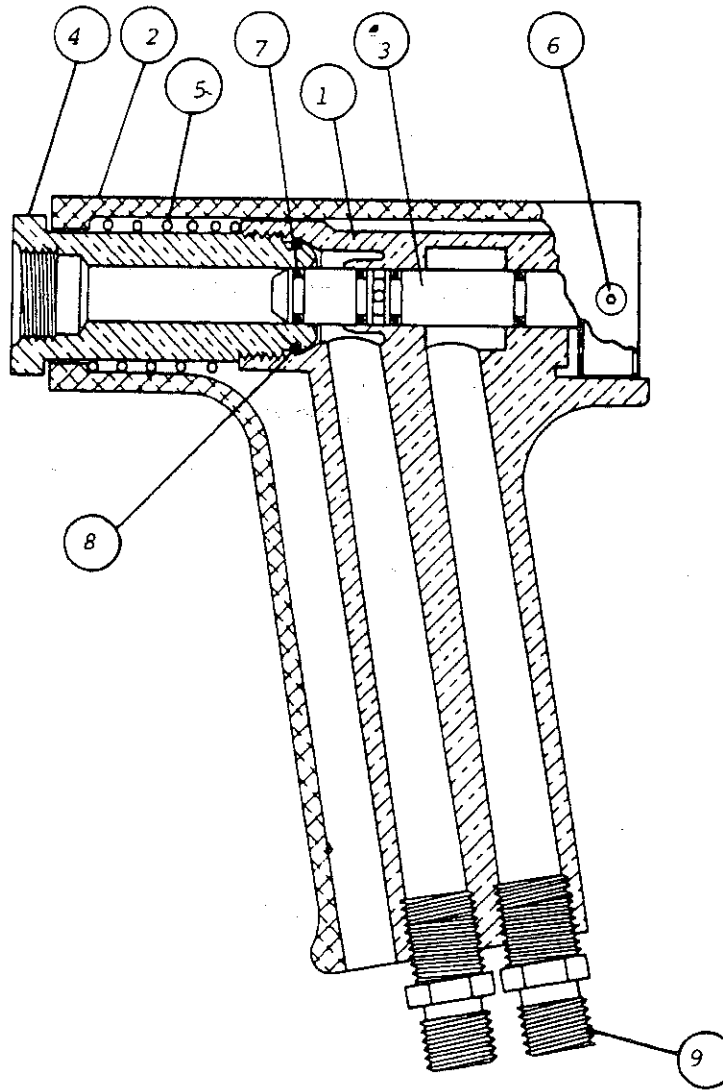
Jiffy Gun



That's tube cleaning with Jiffy Gun. Made only by Elliott Company. Thousands are now at work . . . have been since 1936. Jiffy Gun has proved it works.

Now with the Jiffy Gun we can clean them like this in just ten minutes.

Jiffy Gun Model #5370 (Air and Water Operation)



1/4" N.P.S. Thread

| ITEM NO. | PART NAME | PART NUMBER | NO. REQ'D. | |
|----------|----------------|-------------|------------|--|
| | JIFFY GUN | 537000 | | |
| 1 | VALVE BODY | 5370A | 1 | |
| 2 | TRIGGER | 5370B | 1 | |
| 3 | VALVE STEM | 5370WW | 1 | |
| 4 | ADAPTER | 5370S | 1 | |
| 5 | TRIGGER SPRING | P5370H | 1 | |

| ITEM NO. | PART NAME | PART NUMBER | NO. REQ'D. | |
|----------|---------------|-------------|------------|--|
| 6 | SOCKET SCREW | P8597-8 | 2 | |
| 7 | "O" RING | P8309-5 | 4 | |
| 8 | "O" RING | P8309-10A | 1 | |
| 9 | HOSE COUPLING | P5370M | 2 | |
| | | | | |
| | | | | |

USED ON: _____

PART NO.

SD-390

SHEET NO. 1 OF 1

ENG. CHANGE NO.

LEXAN SHIELD
P5371CL

PRESSURE SEAL NOZZLE
w/
RUBBER SLEEVE

3/4" - 16UNC

3/4" - 16UNC

1/2" N.P.T.

SHIELD ADAPTER
537058

3/4" - 16UNC

SPECIAL ADAPTER
5370SA

TAPERED NOZZLE

JIFFY GUN
537000

3/4" - 16UNC

NOZZLE ADAPTER
5370JG

THIS DRAWING CONTAINS INFORMATION OF A PROPRIETARY NATURE AND IS ISSUED FOR REFERENCE USE ONLY AND MAY NOT BE COPIED, REPRODUCED OR USED TO MANUFACTURE ANYTHING SHOWN HEREON WITHOUT WRITTEN PERMISSION.

NAME INSTRUCTIONS FOR ADAPTING LEXAN SHIELD TO 537000 JIFFY GUN

DR. BY: R.T. (07-22-97)

CKD. BY:

SCALE = NONE

PROJECT NO.

TOOL NUMBER:

SD-390



DAYTON, OH 45401

SUPPERSEDES

SUPPERSEDES

ENG. FILE GR.